



**DAISY WRAP CARDIGAN & SKIRT**

**SIZES**

**CARDIGAN**

**Chest measurement**

4	24	ins	[61	cm	]
6	26	ins	[66	cm	]
8	28	ins	[71	cm	]
10	30	ins	[76	cm	]

**Finished chest**

4	26	ins	[66	cm	]
6	28	ins	[71	cm	]
8	30	ins	[76	cm	]
10	32	ins	[81	cm	]

**SKIRT**

**Waist measurement**

4	21	ins	[53.5	cm	]
6	22	ins	[56	cm	]
8	23	ins	[58.5	cm	]
10	24	ins	[61	cm	]

**Finished waist**

4	22	ins	[56	cm	]
6	24	ins	[61	cm	]
8	26	ins	[66	cm	]
10	28	ins	[71	cm	]

**MATERIALS**

Patons Astra (50 g/1.75 oz)

Size 4 6 8 10

**CARDIGAN**

**Main Color (MC)** (Pink)

4 4 5 6 balls

**Contrast A** (White)

1 1 1 1 ball

Sizes 3.25 mm (U.S. 3) and 4 mm (U.S. 6) knitting needles **or size needed to obtain tension.**

**SKIRT**

**Main Color (MC)** (Pink)

5 5 6 6 balls

**Contrast A** (White)

1 1 1 1 ball

Sizes 3.25 mm (U.S. 3) and 3.75 mm (U.S. 5) circular knitting needles 70 cm long **or size needed to obtain tension.** 1 yd [91 cm] of elastic 1¼ ins [3 cm] wide. Pair of double pointed knitting needles size 3.75 mm (U.S. 5) for 'pleats'

**TENSION**

**Cardigan:** 22 sts and 30 rows = 4 ins [10 cm] with larger needles in stocking st.

**Skirt:** 24 sts and 32 rows = 4 ins [10 cm] with larger needles in stocking st.

**INSTRUCTIONS**

*The instructions are written for smallest size. If changes are necessary for larger sizes the instructions will be written thus ( ).*

**CARDIGAN**

**LEFT FRONT**

\*\*With smaller needles and MC, cast on 59 (65-71-75) sts.

**1st row:** (RS). K1. \*P1. K1. Rep from \* to end of row.



ABBREVIATIONS: [www.patonsyarns.com/glossary](http://www.patonsyarns.com/glossary)

**2nd row:** P1. \*K1. P1. Rep from \* to end of row.

Rep these 2 rows (K1. P1) ribbing for 2 (**2½-2½-2½**) ins [5 (**6-6-6**) cm] ending on a 2nd row and inc 5 sts evenly across last row. 64 (**70-76-80**) sts.

Change to larger needles and work 8 rows in stocking st.\*\*

**Shape Front: Next row:** (RS). Knit to last 2 sts. K2tog (front edge).

**Next row:** P2tog. Purl to end of row. Repeat last 2 rows to 56 (**60-66-70**) sts.

Dec 1st at front edge on next and every alt row to 42 (**46-49-49**) sts. Work 1 row even, ending with RS facing for next row.

**Shape armhole: Next row:** Cast off 2 sts. Knit to last 2 sts. K2tog.

**Next row:** Purl.

Dec 1 st each end of needle on next and every alt row to 25 (**27-30-32**) sts. Work 1 row even.

Dec 1 st at front edge on next and every alt row to 14 (**15-17-18**) sts. Work 5 rows, ending with RS facing for next row.

**Shape shoulder:** Cast off 7 (**8-9-9**) sts beg next row. Work 1 row even. Cast off rem 7 (**7-8-9**) sts.

## RIGHT FRONT

Work from \*\* to \*\* as given for Left Front.

**Shape Front: Next row:** (Right side). K2tog (front edge). Knit to end of row.

**Next row:** Purl to last 2 sts. P2tog.

Repeat last 2 rows to 56 (**60-66-70**) sts.

Dec 1st at front edge on next and every alt row to 41 (**45-48-48**) sts, ending with **WS** facing for next row.

**Shape armhole: Next row:** Cast off 2 sts. Purl to end of row.

Dec 1 st at each end of needle on next and every alt row to 25 (**27-30-32**) sts. Work 1 row even.

Dec 1 st at front edge on next and every alt row to 14 (**15-17-18**) sts. Work 6 rows, ending with **WS** facing for next row.

**Shape shoulder:** Cast off 7 (**8-9-9**) sts beg next row. Work 1 row even. Cast off rem 7 (**7-8-9**) sts.

## BACK

With smaller needles and MC, cast on 63 (**69-75-79**) sts.

Work in (K1. P1) ribbing as given for Left Front for 2 (**2½-2½-2½**) ins [5 (**6-6-6**) cm] ending on a 2nd row and inc 8 sts evenly across last row. 71 (**77-83-87**) sts.

Change to larger needles and proceed in stocking st until work from beg measures same length as Fronts to beg of armhole shaping, ending with RS facing for next row.

**Shape armholes:** Cast off 2 sts beg next 2 rows. 67 (**73-79-83**) sts.

Dec 1 st at each end of needle on next and every alt row to 53 (**57-63-69**) sts. Cont even until work from beg measures same length as fronts to beg of shoulder shaping ending with RS facing for next row.

**Shape shoulders:** Cast off 7 (**8-9-9**) sts beg next 2 rows, then 7 (**7-8-9**) sts beg following 2 rows. Cast off rem 25 (**27-29-33**) sts.

## SLEEVES

With smaller needles and MC, cast on 39 (**39-41-45**) sts.

Work in (K1. P1) ribbing as given for Left Front for 2 (**2½-2½-2½**) ins [5 (**6-6-6**) cm] ending on a 2nd row and inc 3 (**3-5-5**) sts evenly across last row. 42 (**42-46-50**) sts.

Change to larger needles and proceed in stocking st inc 1 st each end of needle on 9th and following 10th (**12th-12th-10th**) rows to 52 (**52-58-62**) sts. Cont even until work from beg measures 10½ (**11½-14-15½**) ins [27 (**31-35-37**) cm] ending with RS facing for next row.

**Shape top:** Cast off 2 sts beg next 2 rows.

Dec 1 st at each end of needle on next and every alt row to 28 (**24-32-40**) sts. Work 1 row even. Dec 1 st at each end of needle on every row to 8 sts. Cast off.

## FINISHING

With A, embroider daisies using Lazy Daisy St on Right Front as illustrated.

Sew shoulder seams. Sew side seams leaving a 1¼ ins [3 cm] opening above ribbing on right side. Sew sleeve seams. Sew in sleeves.

## FRONT BANDS

With smaller needles and MC, cast on 9 sts.

**1st row:** (RS). K2. (P1. K1) 3 times. K1.

**2nd row:** K1. (P1. K1) 4 times.

Rep these 2 rows until band, when slightly stretched, fits up left front arnd back of neck and down right front, sewing in position as you go along. Cast off in ribbing.

## Ties (make 2)

With smaller needles and MC, cast on 9 sts and work in (K1. P1) ribbing as given for Front bands until ties measure 13 (**15-16-18**) ins [33 (**38-41-46**) cm]. Cast off in ribbing. Sew ties to inside edge of right front band above ribbing and to outer edge of left front and back seam above ribbing. **Do not press.**

## DAISY SKIRT

**Note:** Piece is knitted from the bottom up.

With MC and larger needle, cast on 396 (**432-468-504**) sts. **Do not join.**

Proceed as follows:

**1st row:** K11. \*Sl1. K11. P1. K23. Rep from \* to last 25 sts. Sl1. K11. P1. K12.

**2nd row:** P12. \*K1. P11. K1. P23. Rep from \* to last 24 sts. (K1. P11) twice.

Rep these 2 rows until work from beg measures 1 inch [2.5 cm] ending with 1st row.

**Next row:** (Fold row). Knit.

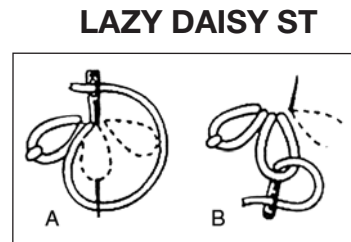
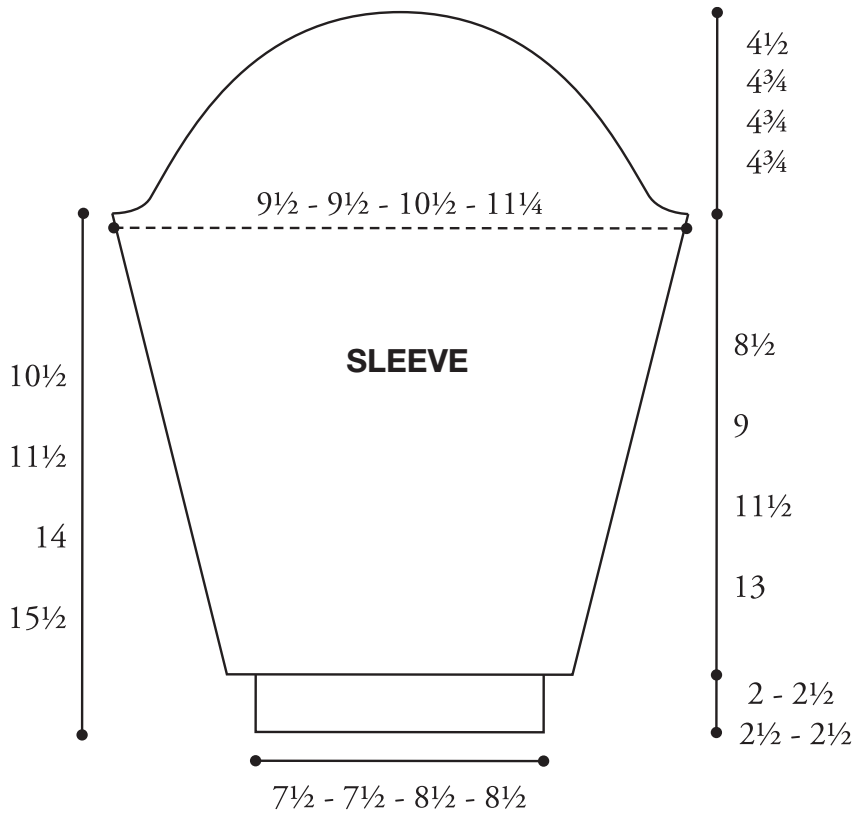
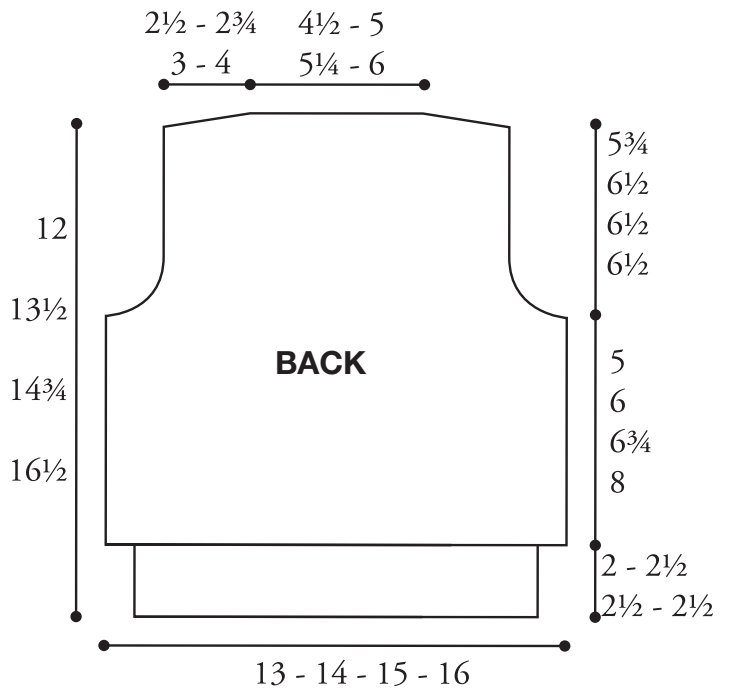
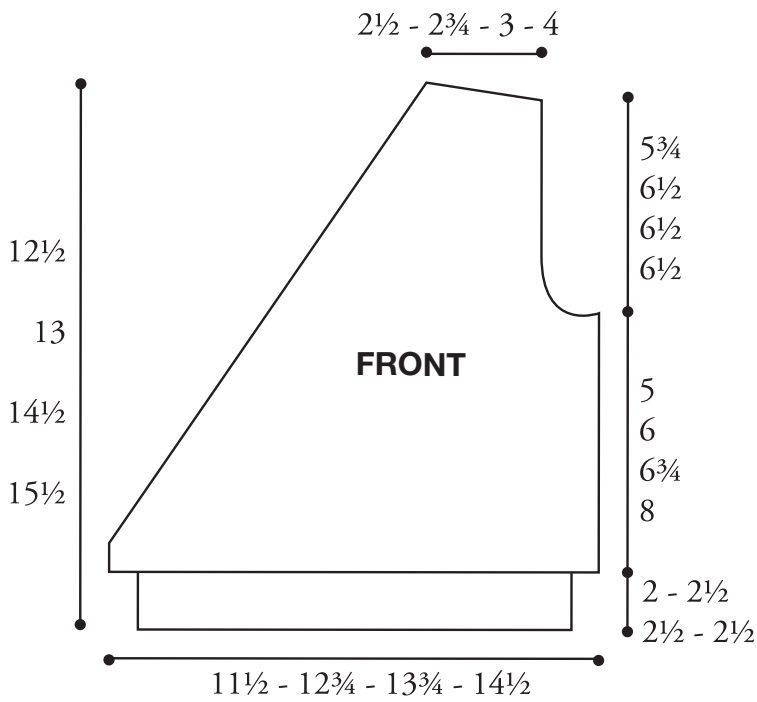
Rep 1st and 2nd rows until work from beg measures 12½ (**14-15-16**) ins [32 (**35.5-38-40.5**) cm].

**Next row:** \*Slip 12 sts onto 1st double-pointed needle. Slip next 12 st onto 2nd double-pointed needle. Turn 2nd needle (WS of both needles are tog). Align left-hand needle behind the 2 double pointed needles and knit tog first st from each of 3 needles - pleat made. Rep from \*10 (**11-12-13**) times more. 132 (**144-156-168**) sts.

Change to smaller needle and work in stocking st for 3 ins [7.5 cm] ending with RS facing for next row. Cast off loosely.

## Finishing

Sew side seam. Fold waistband in half to WS and sew in position leaving opening to insert elastic. Cut elastic to measurement and insert through opening. Sew opening. Fold hem to WS along fold row and sew in position. With A, embroider daisy on every 2nd pleat face as illustrated.



**Patons**

*... a part of your life.*

P.O. Box 40, Listowel ON N4W 3H3